

RK Safety Hinge

Supporting safe and secure on-site work

Easily open and close access covers of all shapes and sizes on tanks, reaction vessels, and other containers used in various factories. You can adjust the lifting force according to the weight of the lid.

- Reduce Repetitive Strain Injuries
- Prevent Pinch Point Accidents
- No External Power Needed
- Sanitary Construction
- Specifically Designed for Food, Chemical & Pharma Applications

Can reduce lid weight by up to 80%

Waterproof design

Safety pin to prevent lid from falling

Can be used during a power outage

Shock absorber

READCO
KURIMOTO

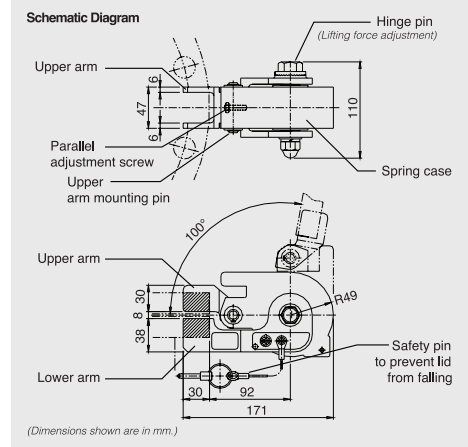
550 N. State Street York, PA 17403
info@readco.com | 800.395.4959
readco.com



RK Safety Hinge Specifications

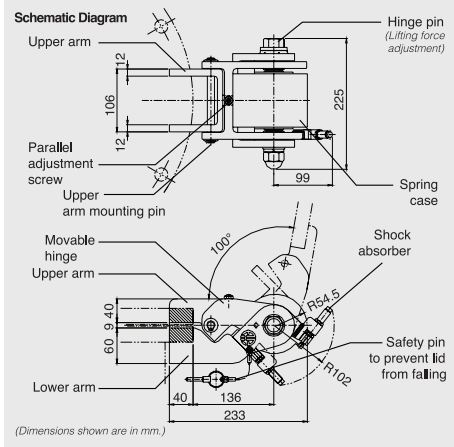
10/20

Model RK-10, RK-20



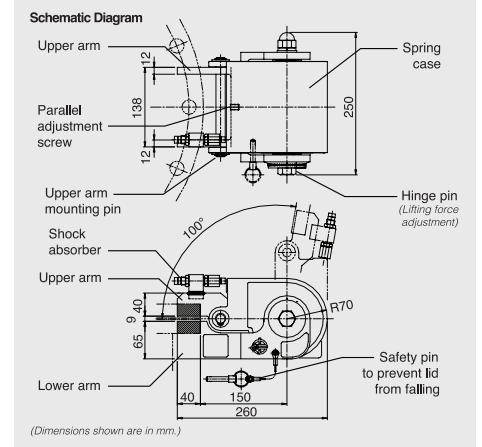
45

Model RK-45



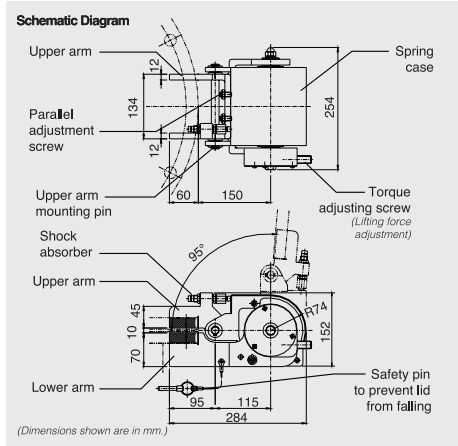
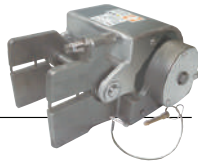
60

Model RK-60



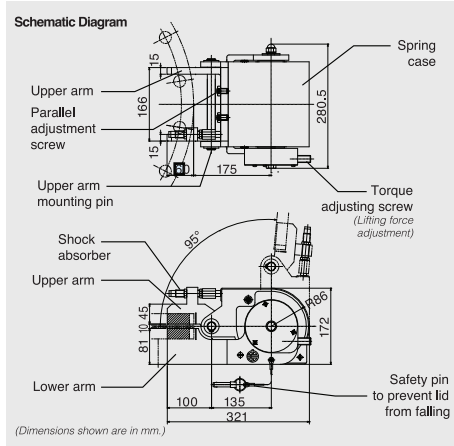
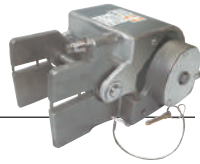
75

Model RK-75



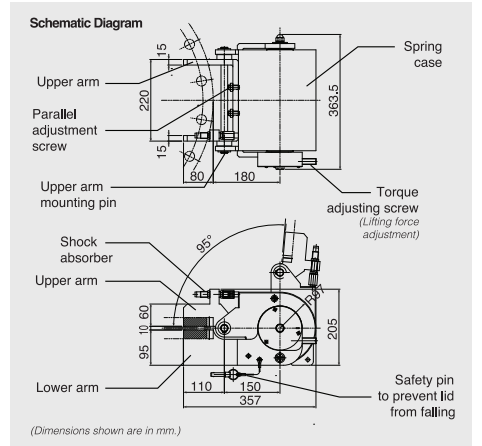
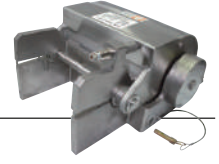
90

Model RK-90



110

Model RK-110



Model Number	Spring Torque Range	Lid Weight (Examples)	Product Weight	Product Diagram
RK-10	13.3 ~ 29.5 ft-lb (18 ~ 40 Nm)(1.8 ~ 4.1 kgf-m)	13.2 lb (6 kg) 28.4 lb (12.9 kg)	7.7 lb (3.5 kg)	<p>(Please provide these values when requesting a quote)</p> <p>Notes: 1. All Units are waterproof. 2. Main material of construction is stainless steel, spring material is spring steel with a rust preventative coating. 3. Ask about optional proximity sensors for monitoring cover position, enabling secure power lockout for mixers, vessels, reactors, and similar process equipment.</p>
RK-20	30.2 ~ 59.0 ft-lb (41 ~ 80 Nm)(4.2 ~ 8.2 kgf-m)	28.6 lb (13.0 kg) 50.5 lb (22.9 kg)	7.7 lb (3.5 kg)	
RK-45	59.7 ~ 118.0 ft-lb (81 ~ 160 Nm)(8.3 ~ 16.3 kgf-m)	50.7 lb (23.0 kg) 103.4 lb (46.9 kg)	23 lb (10.6 kg)	
RK-60	118.8 ~ 199.2 ft-lb (161 ~ 270 Nm)(16.4 ~ 27.5 kgf-m)	103.6 lb (47 kg) 136.5 lb (61.9 kg)	38 lb (17.2 kg)	
RK-75	199.9 ~ 295.0 ft-lb (271 ~ 400 Nm)(27.6 ~ 40.8 kgf-m)	136.7 lb (62 kg) 180.6 lb (81.9 kg)	38 lb (17.2 kg)	
RK-90	295.8 ~ 413.1 ft-lb (401 ~ 560 Nm)(40.9 ~ 57.1 kgf-m)	180.8 lb (82 kg) 231.3 lb (104.9 kg)	68 lb (30.7 kg)	
RK-110	413.8 ~ 538.4 ft-lb (561 ~ 730 Nm)(57.2 ~ 74.4 kgf-m)	231.5 lb (105.0 kg) 293.2 lb (133.0 kg)	104 lb (47.0 kg)	